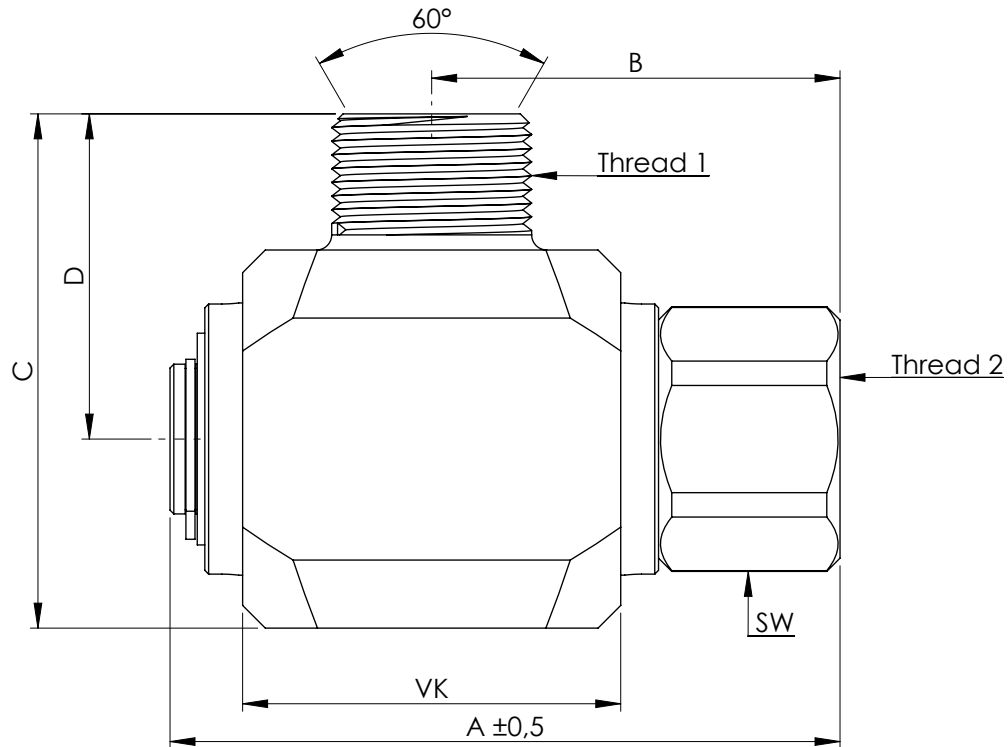


Angle swivel joint with rotating union nut



block steel surface. Zn - Ni
 Axle steel surface chem. Ni.
 Thread bush brass
 Seal:
 - dynamic Variseal Turcon 40
 - static O.Ring NBR
 Nutring against external influences

Operating conditins:
 Medium: Hydraulic & water
 (Dirt particles size up to max. 25µ)
 Working pressure: min 10bar bis max. 400bar
 Temperatur: Hydraulic oil from -30°C to +95°C
 Water from 0°C to +80°C
 Suitable for rotary and oscillating movements

	A	B	C	D	VK	SW	Thread 1	Thread 2	max. speed
GK 5111/10	72,0	44,5	56,0	36,0	40	27	AG 1/2"	IG 1/2"	60U/min
GK 5121/10	89,0	54,0	68,0	43,0	50	32	AG 3/4"	IG 3/4"	45U/min
GK 5126/10	91,5	56,0	70,5	45,5	50	41	AG 1"	IG 1"	45U/min
GK 5131/10	117,0	68,0	91,5	56,5	70	50	AG 1 1/4"	IG 1 1/4"	25U/min

Stand: 07/2014
 Technische Änderungen bleiben uns vorbehalten.