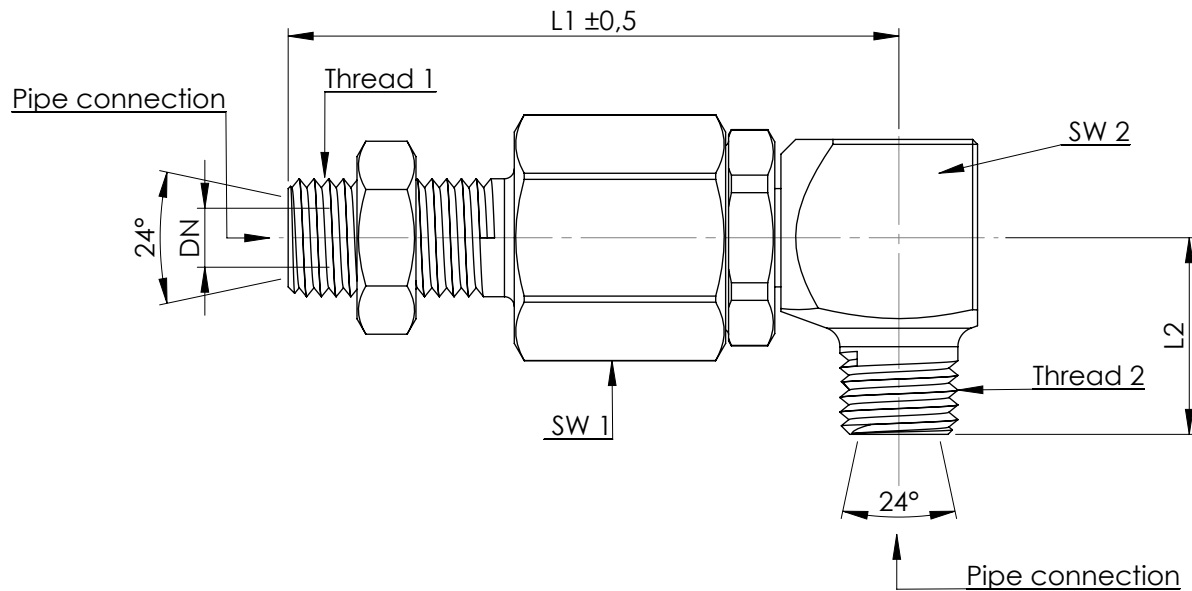


Ball bearing swivel N - Series



Outer part and adapter steel surface Zn - Ni
Axle steel hardened and ground
Hardened steel threaded bush
Thrust ball bearings for low torque
Seal:
- dynamic O.Ring NBR + Teflon support ring
O.Ring against external influences

Operating conditions:

Medium: Hydraulic oil
(Dirt particles size up to max. 25 μ)
Working pressure: min. 10bar up to max. 350bar
Temperature: from -30°C to +95°C
Suitable for rotary and oscillating movements to a sliding speed maximum 0,025m/sec., (but not constant)
(Rotary speed is dependent on the shaft diameter)

	L1	L2	DN	SW 1	SW 2	Thread 1	Thread 2	Pipe con.	max. pressure
GK 1860/00N	62,0	23,5	04	22	20	M12 x 1,5	M12 x 1,5	6L	350 bar
GK 1861/00N	62,0	23,5	06	22	20	M14 x 1,5	M14 x 1,5	8L	350 bar
GK 1862/00N	74,0	29,0	7,5	30	22	M16 x 1,5	M16 x 1,5	10L	350bar
GK 1863/00N	74,0	29,0	7,5	30	22	M18 x 1,5	M18 x 1,5	12L	350bar

Issue: 07/2014
Technical changes are reserved to us.