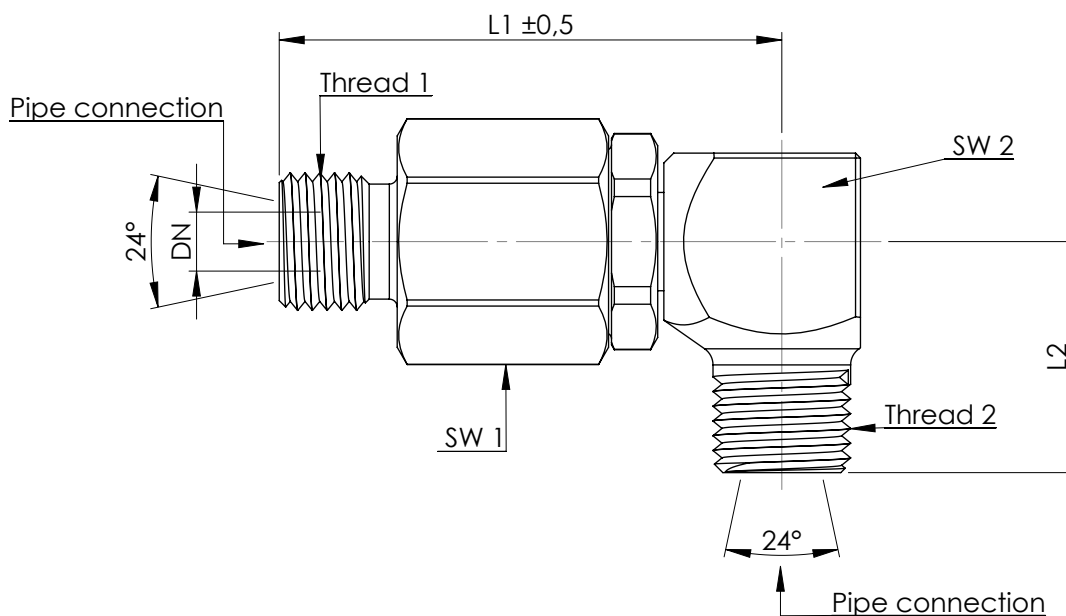


## Ball bearing swivel N - Series



Outer part and adapter steel surface Zn - Ni  
Axle steel hardened and ground  
Hardened steel threaded bush  
Thrust ball bearings for low torque  
Seal:  
- dynamic O.Ring NBR + Teflon support ring  
O.Ring against external influences

Operating conditions:  
Medium: Hydraulic oil  
(Dirt particles size up to max. 25µ)  
Working pressure: min. 10bar up to max. 350bar  
Temperature: from -30°C to +95°C  
Suitable for rotary and oscillating movements to a sliding speed maximum 0,025m/sec., (but not constant) (Rotary speed is dependent on the shaft diameter)

	L1	L2	DN	SW 1	SW 2	Thread 1	Thread 2	Pipe con.	max. pressure
GK 1970/00N	51,0	23,5	03	22	20	M14 x 1,5	M14 x 1,5	6S	350 bar
GK 1971/00N	51,0	23,5	04	22	20	M16 x 1,5	M16 x 1,5	8S	350 bar
GK 1973/00N	63,0	29,0	7,5	30	22	M20 x 1,5	M20 x 1,5	12S	350bar
GK 1974/00N	63,0	33,0	10	30	30	M24 x 1,5	M24 x 1,5	16S	350bar
* GK 1975/00N	83,0	39,5	16	41	40	M30 x 2,0	M30 x 2,0	20S	350bar
* GK 1976/00N	83,0	42,0	18	41	40	M36 x 2,0	M36 x 2,0	25S	350bar
* GK 1977/00N	102,5	49,0	25	60	60	M42 x 2,0	M42 x 2,0	30S	250bar
* GK 1978/00N	102,5	57,0	32	60	60	M52 x 2,0	M52 x 2,0	38S	250bar

\* Outer part of round material with milled hexagon

Issue: 07/2014  
Technical changes are reserved to us.