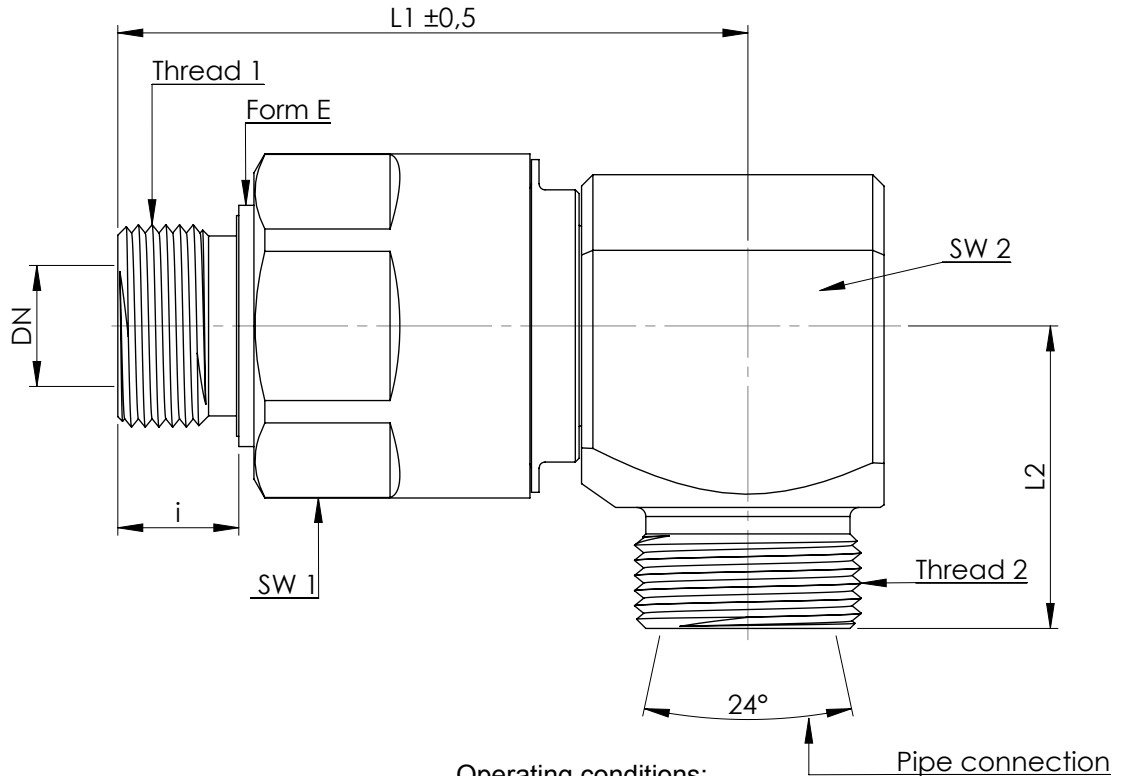


### Ball bearing swivel N - Series



Outer part and adapter steel surface Zn - Ni  
 Axle steel hardened and ground  
 Hardened steel threaded bush  
 Thrust ball bearings for low torque  
 Seal:  
 - dynamic O.Ring NBR + Teflon support ring  
 O.Ring against external influences

**Operating conditions:**

Medium: Hydraulic oil  
 (Dirt particles size up to max. 25 $\mu$ )  
 Working pressure: min. 10bar up to max. 350bar  
 Temperature: from -30°C to +95°C  
 Suitable for rotary and oscillating movements to a  
 sliding speed maximum 0,025m/sec., (but not constant)  
 (Rotary speed is dependent on the shaft diameter)

	L1	L2	DN	i	SW 1	SW 2	Thread 1	Thread 2	Pipe con.	max. pressure
* GK 1775/00N	83,0	39,5	16	16	41	40	M27 x 2,0	M30 x 2,0	20S	350bar
* GK 1776/00N	83,0	42,0	20	18	41	40	M33 x 2,0	M36 x 2,0	25S	350bar

\* Outer part of round material with milled hexagon

Issue: 07/2014  
 Technical changes are reserved to us.