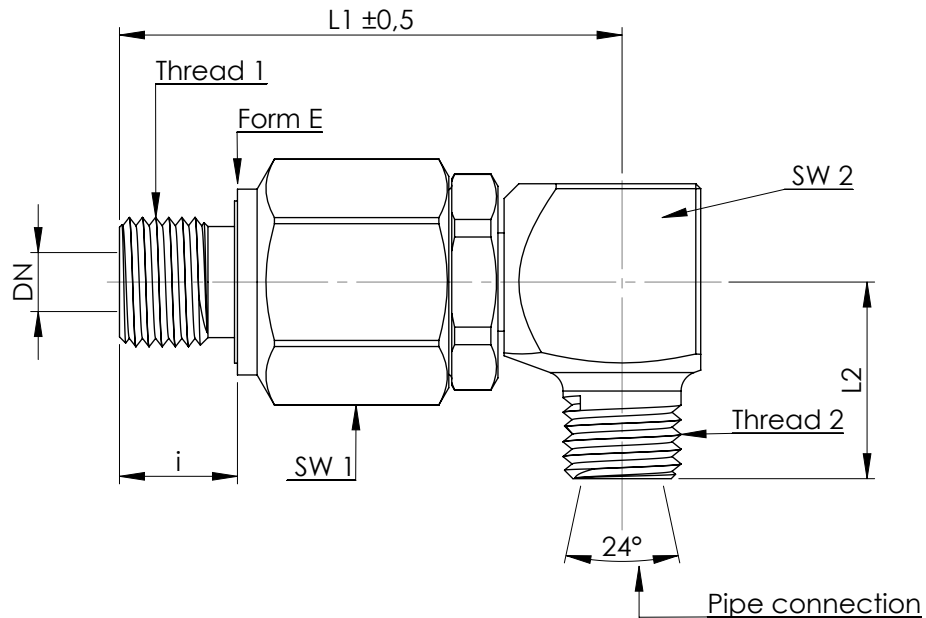


### Ball bearing swivel N - Series



Outer part and adapter steel surface Zn - Ni  
Axle steel hardened and ground  
Hardened steel threaded bush  
Thrust ball bearings for low torque  
Seal:  
- dynamic O.Ring NBR + Teflon support ring  
O.Ring against external influences

**Operating conditions:**

Medium: Hydraulic oil  
(Dirt particles size up to max. 25 $\mu$ )  
Working pressure: min. 10bar up to max. 350bar  
Temperature: from -30°C to +95°C  
Suitable for rotary and oscillating movements to a sliding speed maximum 0,025m/sec., (but not constant)  
(Rotary speed is dependent on the shaft diameter)

	L1	L2	DN	i	SW 1	SW 2	Thread 1	Thread 2	Pipe con.	max. pressure
GK 1780/00N	51,5	20,0	04	12	22	20	AG 1/4"	M12 x 1,5	6L	350 bar
GK 1781/00N	51,0	22,5	06	12	22	20	AG 1/4"	M14 x 1,5	8L	350 bar
GK 1782/00N	63,0	29,0	08	12	30	22	AG 3/8"	M16 x 1,5	10L	350bar
GK 1783/00N	63,0	29,0	08	12	30	22	AG 3/8"	M18 x 1,5	12L	350bar
GK 1784/1783N	63,0	29,0	10	14	30	22	AG 1/2"	M18 x 1,5	12L	350 bar
GK 1784/00N	63,0	29,0	10	14	30	22	AG 1/2"	M22 x 1,5	15L	350 bar
* GK 1785/00N	86,5	36,0	16	16	41	40	AG 3/4"	M26 x 1,5	18L	350bar
* GK 1786/00N	86,5	38,0	16	16	41	40	AG 3/4"	M30 x 2,0	22L	350bar
* GK 1787/00N	83,5	38,0	18	18	46	40	AG 1"	M36 x 2,0	28L	350bar
GK 1788/00N	109,0	45,0	30	20	60	60	AG 1 1/4"	M45 x 2,0	35L	250bar
GK 1789/00N	106,0	45,0	32	22	60	60	AG 1 1/2"	M52 x 2,0	42L	250bar

\* Outer part of round material with milled hexagon

Issue: 07/2014  
Technical changes are reserved to us.