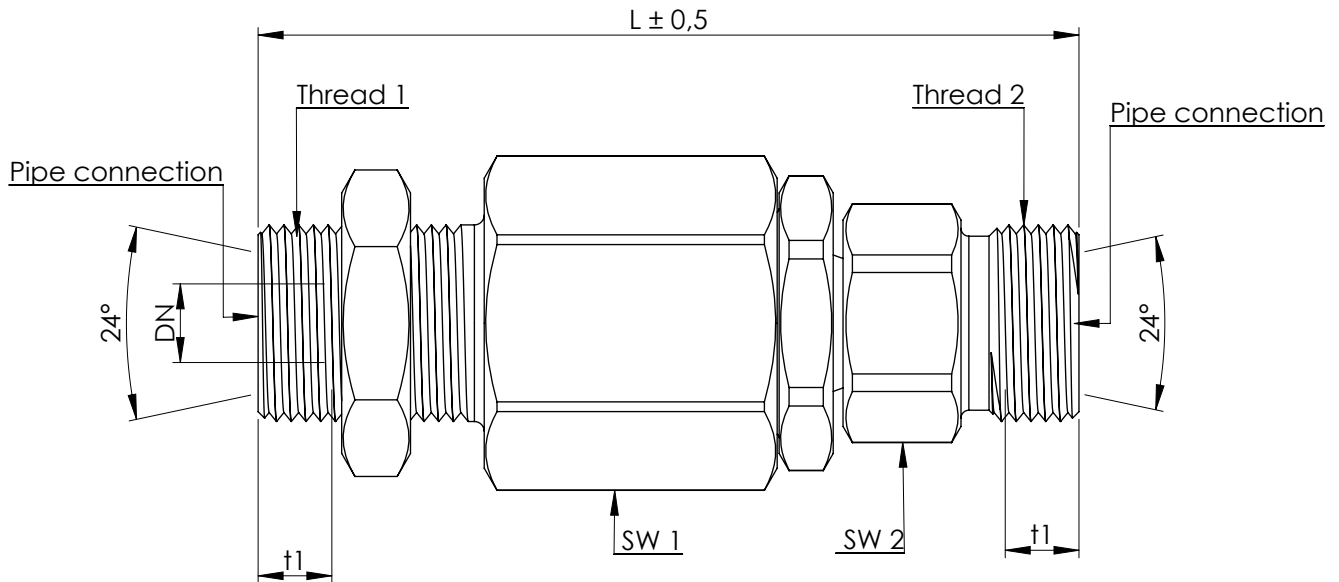


Ball bearing swivel N - Series



Steel parts surface Zn - Ni
Axle steel hardened and ground
Hardened steel threaded bush
Thrust ball bearings for low torque
Seal:
- dynamic O.Ring NBR + Teflon support ring
O.Ring against external influences

Operating conditions:
Medium: Hydraulic oil
(Dirt particles size up to max. 25µ)
Working pressure: min. 10bar up to max. 350bar
Temperature: from -30°C to +95°C
Suitable for rotary and oscillating movements to a sliding speed maximum 0,025m/sec., (but not constant)
(Rotary speed is dependent on the shaft diameter)

| | L | t1 | DN | SW 1 | SW 2 | Thread 1 | Thread 2 | Pipe connection | max. pressure | |
|---|-------------|-------|------|------|------|----------|-----------|-----------------|---------------|---------|
| | GK 1570/00N | 72,5 | 7,0 | 04 | 22 | 17 | M14 x 1,5 | M14 x 1,5 | 6S | 350 bar |
| | GK 1571/00N | 72,5 | 7,0 | 06 | 22 | 17 | M16 x 1,5 | M16 x 1,5 | 8S | 350 bar |
| | GK 1574/00N | 86,5 | 8,5 | 11,5 | 30 | 24 | M24 x 1,5 | M24 x 1,5 | 16S | 350bar |
| | GK 1573/00N | 83,0 | 7,5 | 7,5 | 30 | 22 | M20 x 1,5 | M20 x 1,5 | 12S | 350 bar |
| * | GK 1575/00N | 115,5 | 10,5 | 16 | 41 | 36 | M30 x 2,0 | M30 x 2,0 | 20S | 350bar |
| * | GK 1576/00N | 120,5 | 12,0 | 19 | 41 | 36 | M36 x 2,0 | M36 x 2,0 | 25S | 350bar |
| * | GK 1577/00N | 134,0 | 13,5 | 25 | 60 | 55 | M42 x 2,0 | M42 x 2,0 | 30S | 250 bar |
| * | GK 1578/00N | 139,5 | 16,0 | 32 | 60 | 55 | M52 x 2,0 | M52 x 2,0 | 38S | 250 bar |

* Outer part of round material with milled hexagon

Issue: 07/2014
Technical changes are reserved to us.