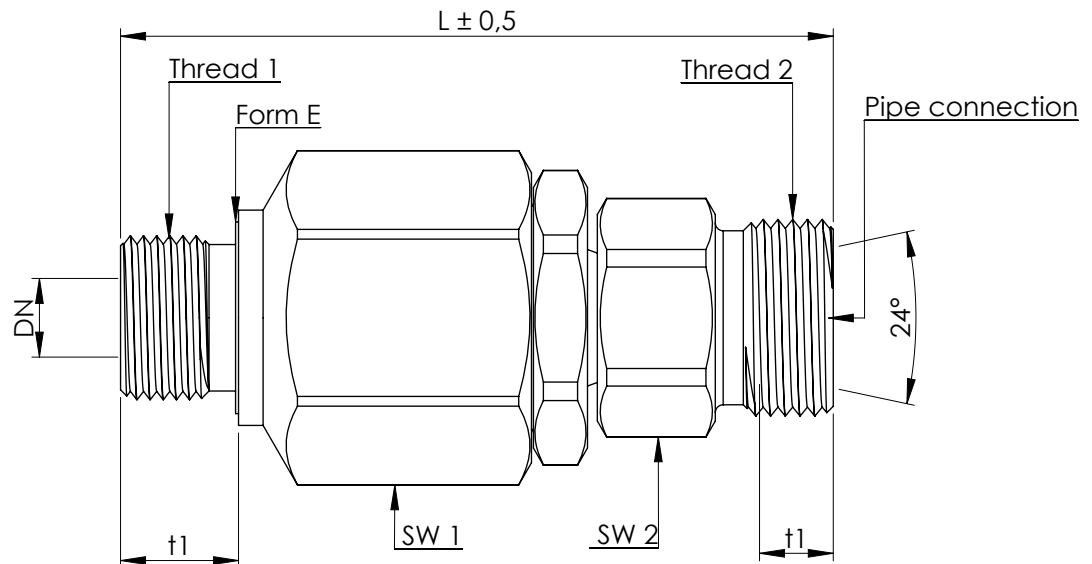


Ball bearing swivel N - Series



Steel parts surface Zn - Ni
Axle steel hardened and ground
Hardened steel threaded bush
Thrust ball bearings for low torque
Seal:
- dynamic O.Ring NBR + Teflon support ring
O.Ring against external influences

Operating conditions:
Medium: Hydraulic oil
(Dirt particles size up to max. 25 μ)
Working pressure: min. 10bar up to max. 350bar
Temperature: from -30°C to +95°C
Suitable for rotary and oscillating movements to a sliding speed maximum 0,025m/sec., (but not constant)
(Rotary speed is dependent on the shaft diameter)

	L	i	DN	SW 1	SW 2	Thread 1	Thread 2	t1	Pipe connection	max. pressure
GK 1690/00N	61,5	12	04	22	17	AG 1/4"	M14 x 1,5	7,0	6S	350 bar
GK 1691/00N	61,5	12	06	22	17	AG 1/4"	M16 x 1,5	7,0	8S	350 bar
GK 1693/00N	72,0	12	7,5	30	22	AG 3/8"	M20 x 1,5	7,0	12S	350 bar
GK 1694/00N	74,5	14	12	30	24	AG 1/2"	M24 x 1,5	8,5	16S	350 bar
GK 1695/00N	92,5	16	16	41	36	AG 3/4"	M30 x 2,0	10,5	20S	350 bar
GK 1696/00N	96,5	18	19	46	36	AG 1"	M36 x 2,0	12,0	25S	350 bar
GK 1697/00N	110,0	20	25	60	55	AG 1 1/4"	M42 x 2,0	13,5	30S	250 bar
GK 1698/00N	114,5	22	32	60	55	AG 1 1/2"	M52 x 2,0	16,0	38S	250 bar

* Outer part of round material with milled hexagon

Issue: 07/2014
Technical changes are reserved to us.