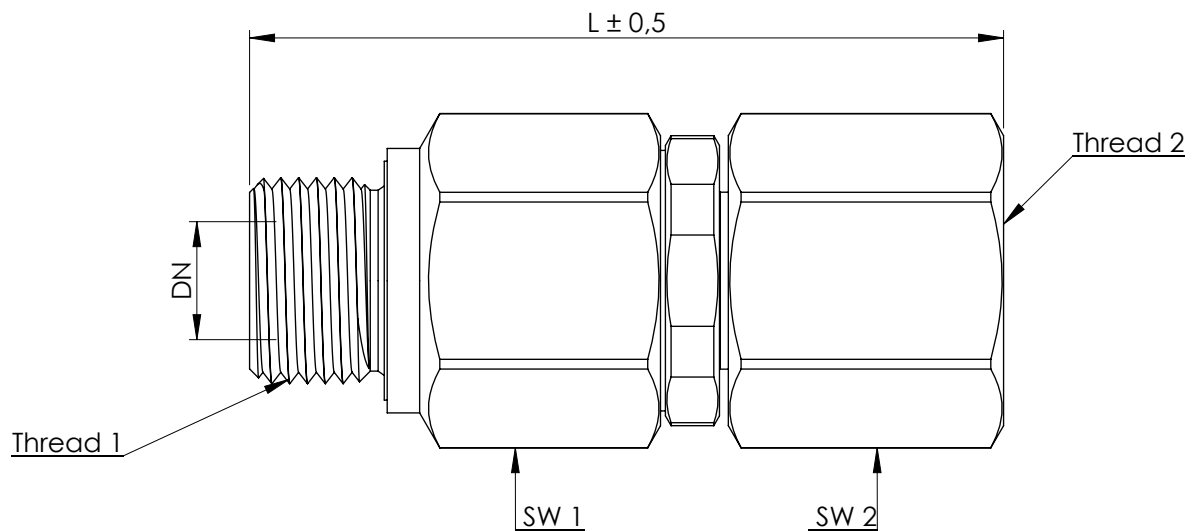


## Ball bearing swivel N - Series



Steel parts surface Zn - Ni  
Axle steel hardened and ground  
Hardened steel threaded bush  
Thrust ball bearings for low torque  
Seal:  
- dynamic O.Ring NBR + Teflon support ring  
O.Ring against external influences

Operating conditions:  
Medium: Hydraulic oil  
(Dirt particles size up to max. 25 $\mu$ )  
Working pressure: min. 10bar up to max. 350bar  
Temperature: from -30°C to +95°C  
Suitable for rotary and oscillating movements to a sliding speed maximum 0,025m/sec., (but not constant)  
(Rotary speed is dependent on the shaft diameter)

	L	DN	SW 1	SW 2	Thread 1	Thread 2	max pressure
	65,5	06	22	22	AG 1/4"	IG 1/4"	350 bar
	76,0	7,5	30	27	AG 3/8"	IG 3/8"	350 bar
	79,0	11,5	30	30	AG 1/2"	IG 1/2"	350 bar
*	93,5	16	41	36	AG 3/4"	IG 3/4"	350bar
**	98,5	19	46	41	AG 1"	IG 1"	350bar
	113,5	30	60	55	AG 1 1/4"	IG 1 1/4"	250 bar
	115,0	30	60	60	AG 1 1/2"	IG 1 1/2"	250 bar

\* Outer part of round material with milled hexagon

\*\* Outer part of round material with milled hexagon  
Adapter from round material with 2 milled wrench flats

Issue: 08/2016  
Technical changes are reserved to us.